






ACURA

For decades we've built performance sedans with unwavering purpose and passion. The 2017 TLX represents more than the latest evolution. Rather, it's the clearest expression yet of our performance philosophy. It's power and control brought into perfect balance. It's anticipating where the driver wants to go, changing the way wheels themselves move and guide you. It's uncompromised design in the name of unrestrained feeling, putting exhilaration front and center once again.



It's that kind
of thrill



ANATOMY OF A

THRILL

SUPER HANDLING

————— A car should put you in touch with the road. But that's just the beginning. We believe reading the driver is just as important as reading the road. Every TLX—whether the 4-cylinder or V-6 models with Precision All-Wheel Steer or the V-6 with Super Handling All-Wheel Drive—

anticipates what the driver intends. It then constantly monitors road conditions and driver input to help stay one step ahead. These precise, seamless adjustments bring added confidence and the promise of an immediate thrill around every corner.





HOW THE CURVE WAS WON

SUPER HANDLING ALL-WHEEL DRIVE

— Races are won in the curves. Now curves have met their match. The available torque-vectoring Super Handling All-Wheel Drive (SH-AWD®) system was designed not just for tricky weather but also for superior handling on practically any road.

SUPER HANDLING ALL-WHEEL DRIVE

By continuously directing engine power to match driver input, weight distribution, available traction, and other conditions, SH-AWD provides seamless power transitions and supreme control. And the new lightweight SH-AWD system in the TLX uses torque vectoring to add or subtract rotational momentum with a surgically precise nudge. The result is enhanced performance that simply can't be matched by front, rear, or conventional all-wheel-drive systems, whether out on the track, or simply turning onto your street.

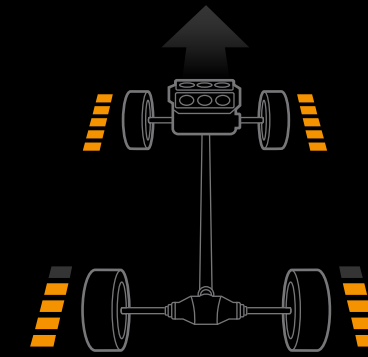
Joining forces with SH-AWD, Agile Handling Assist® actively applies braking to any of the four wheels independently. This helps the TLX pivot through every corner more accurately, aiding vehicle stability, maneuverability, and control.



TORQUE DISTRIBUTION

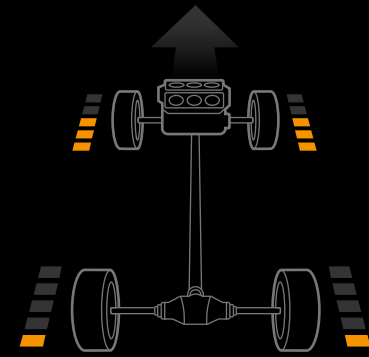
The available SH-AWD system continuously determines the optimal level of power distribution between the front and rear wheels, as well as between the rear wheels, based on an analysis of wheel speed, steering angle, lateral G-force, and yaw rate (the rate at which the TLX rotates clockwise or counterclockwise).

ACCELERATION



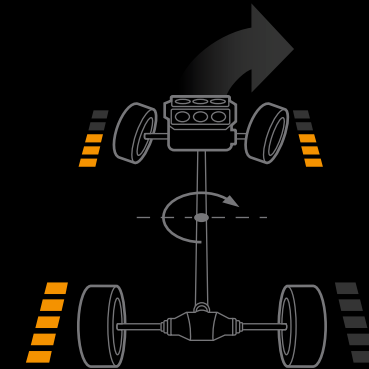
As weight shifts to the rear of the TLX during hard acceleration, the SH-AWD system transfers up to 44% of the power to the rear wheels to take advantage of available traction.

HIGHWAY CRUISE



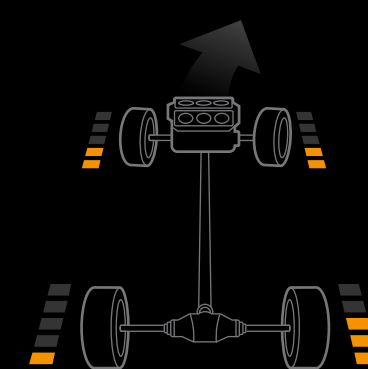
For better fuel efficiency, up to 90% of the power is sent to the front wheels when cruising in a straight line.

CORNERING



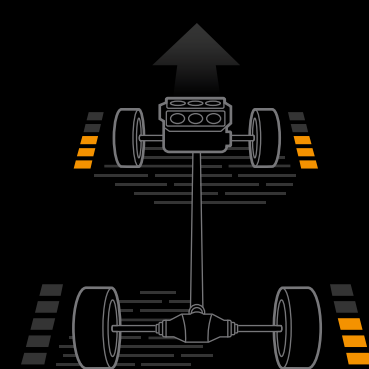
When cornering on dry surfaces, up to 70% of the torque is distributed to the rear. Torque vectoring allows up to 100% of the power to distribute to the outside rear wheel, improving control and helping rotate the TLX through the turn.

LANE CHANGE



For increased stability during lane changes, the SH-AWD system transfers power to the inside rear wheel.

SLIPPERY ROAD



Under slick conditions, SH-AWD actively sends power to the wheel with the most traction.



FLIP THE SCRIPT ON PHYSICS

PRECISION ALL-WHEEL STEER

Turning used to be solely the job of the front wheels. The TLX has changed all that with the world's first Precision All-Wheel Steer (P-AWS™) system. It can adjust the toe angle of each rear wheel independently for increased agility and stability, while cornering and also during braking.

TLX shown with accessory LED fog lights.

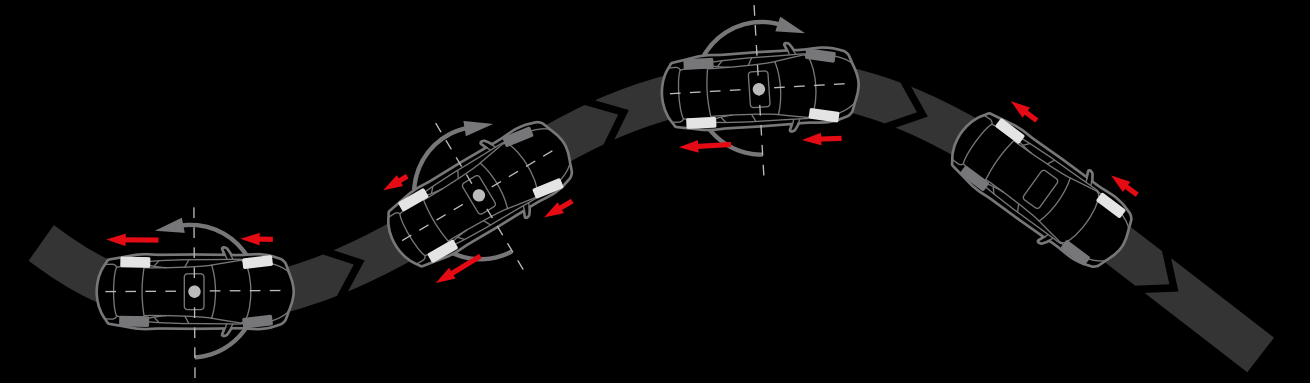
PRECISION ALL-WHEEL STEER

From the chassis and suspension to the steering feel, the TLX is tuned for full responsiveness. On front-wheel-drive models, P-AWS elevates this control to a new level. When compared with traditional two-wheel steering systems, P-AWS dials in more active agility at low-to-mid speeds and better stability at high speeds.

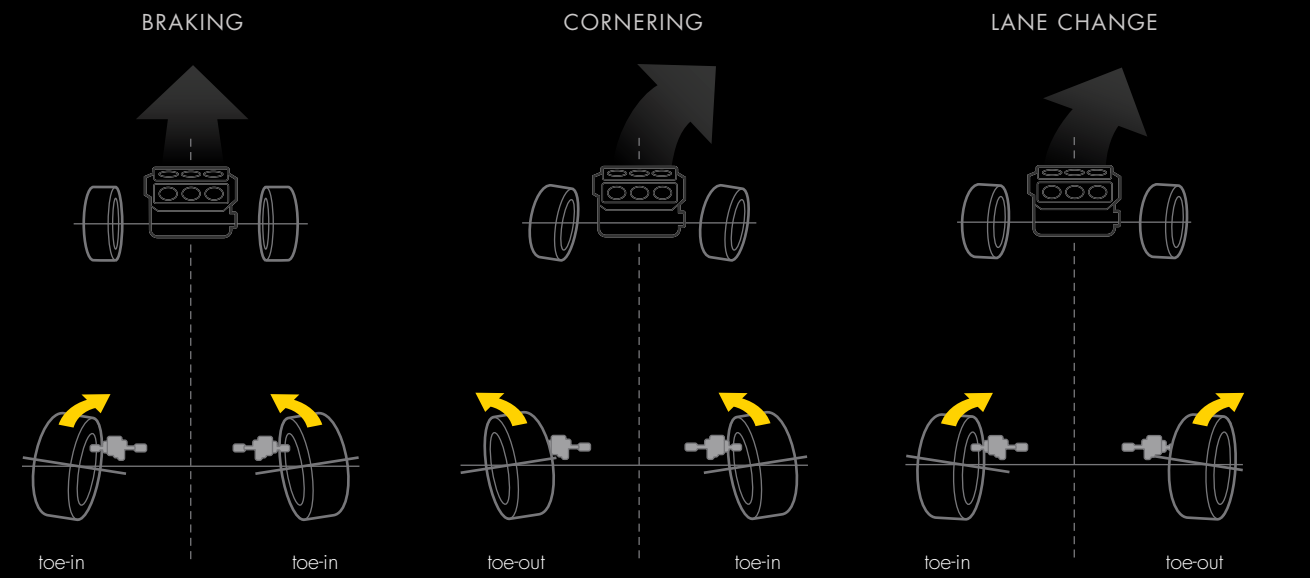
The P-AWS system continuously reads vehicle sensors and driver input. It then instantly adjusts the toe angle of each rear wheel independently, like an expert skier precisely controlling both skis. That means the TLX can more gracefully follow the line the driver pursues through every curve.

AGILE HANDLING ASSIST

Agile Handling Assist in every TLX actively applies braking to any of the four wheels individually. This helps the TLX rotate through every corner more accurately. It helps keep you headed right where you want to go, tracing the line through the turn. Working in concert with P-AWS, Agile Handling Assist helps enhance vehicle stability, maneuverability, and control.



PRECISION ALL-WHEEL STEER

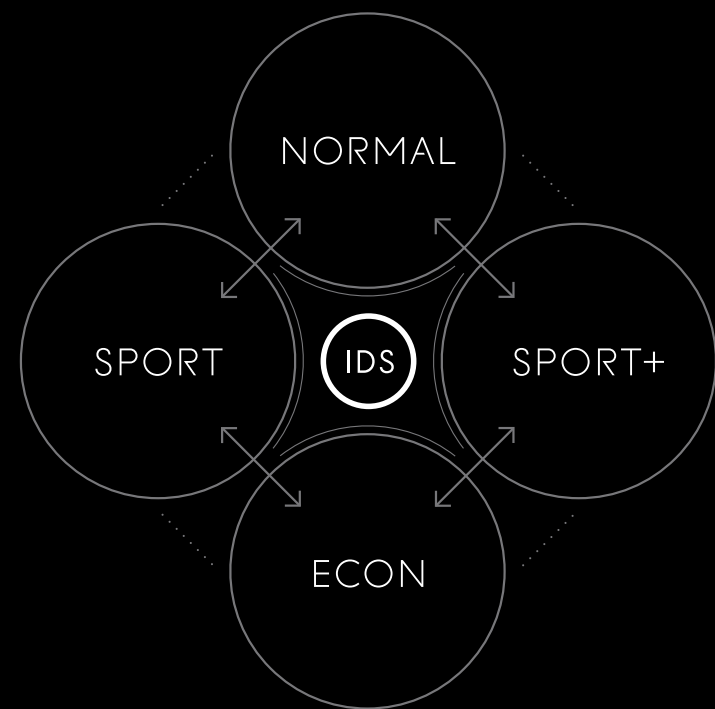


While braking, each rear wheel adjusts inward, increasing stability.

While cornering, the rear wheels turn the opposite direction of the front wheels, making handling quick, agile, and precise.

During high-speed lane changes, the rear wheels turn the same way as the front wheels for enhanced smoothness and stability.

THERE ARE
ALWAYS FOUR
WAYS HOME



INTEGRATED
DYNAMICS SYSTEM

INTEGRATED DYNAMICS SYSTEM

The Integrated Dynamics System (IDS) gives you four modes: Normal, efficiency-boosting Econ, Sport, and Sport+. Sport raises shift points, dials up throttle response, stiffens the steering feel, and makes the P-AWS and SH-AWD systems more aggressive, while Active Sound Control (ASC) tunes up the natural engine note. For those times when only the utmost in performance will do, Sport+ goes further, blipping the throttle and rev-matching downshifts to punctuate gear changes and help preserve the balance of the car.





THE PROOF IS IN THE PUNISHMENT

TESTING

High performance is best tested at the extremes, and the TLX is designed to endure them all. From severe heat to subzero temperatures, intense body rigidity testing to aerodynamic analysis, our engineers ensure that the driver's experience is never left to chance.

HARNESSING THE ONE-TWO PUNCH

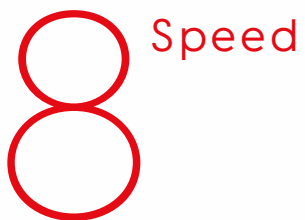
TRANSMISSION

———— The TLX transmissions can rev-match downshifts for smoother performance. And both feature steering-wheel-mounted Sequential SportShift paddle shifters for quick, manual-style gear changes.

———— TLX models with the 4-cylinder engine feature the world's first 8-speed Dual-Clutch Transmission (DCT) with a torque converter. A DCT allows lightning-fast gear changes, as one clutch governs odd gear numbers, and the other, even. The result is direct, responsive action. A torque converter amplifies torque for more immediate response and smoother delivery.

———— On V-6 models, the smooth-shifting, 9-speed, pushbutton automatic transmission marries performance and comfort, accommodating diverse driving scenarios with a wide range of gear ratios.

DUAL-CLUTCH



Speed

AUTOMATIC



Speed



ACCELERATED THINKING



ENGINES

————— TLX offers two engine choices. Each direct-injection engine provides improved fuel efficiency¹ and the across-the-spectrum performance boost of Variable Valve Timing and Lift Electronic Control (i-VTEC[®]). i-VTEC increases high-rpm horsepower while keeping ample low-end torque on tap for on-demand acceleration.

————— The 3.5-liter i-VTEC V-6 delivers 290 horsepower* and 267 lb-ft of torque.* The 4-cylinder offers 206 hp* and linear torque delivery at the low end for direct feedback whenever you need it.

Variable Cylinder Management™ (VCM[®]) lets the V-6 TLX switch to just three cylinders whenever viable, a measure that greatly increases fuel efficiency.¹ Then when you need more power, VCM makes the transition back to all six cylinders so seamless, you'll never know it happened. The TLX has an EPA fuel economy rating of 35 mpg highway, while the TLX V-6 and TLX V-6 SH-AWD provide 34 mpg and 31 mpg, respectively.¹



A LIGHTER, LEANER STATE OF BEING

MASS AND FLOW

Testing 40% scale models in the wind tunnel and materials and components in the lab, we have meticulously shaped and trimmed the TLX to reduce drag, lift, turbulence, and rolling resistance. Weight has been reduced wherever possible. Lighter, tougher metals like aluminum, magnesium, and ultra-high-strength steel have been used, improving rigidity and the power-to-weight ratio, and helping the TLX fulfill its super-handling promise.

AND THE
QUICKENS

AND THE
QUICKENS

AND THE
QUICKENS

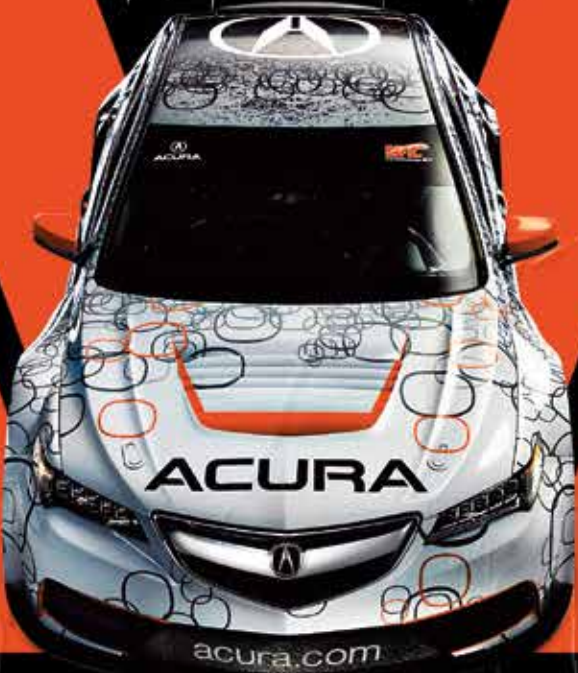
AND THE
QUICKENS

AND THE
QUICKENS

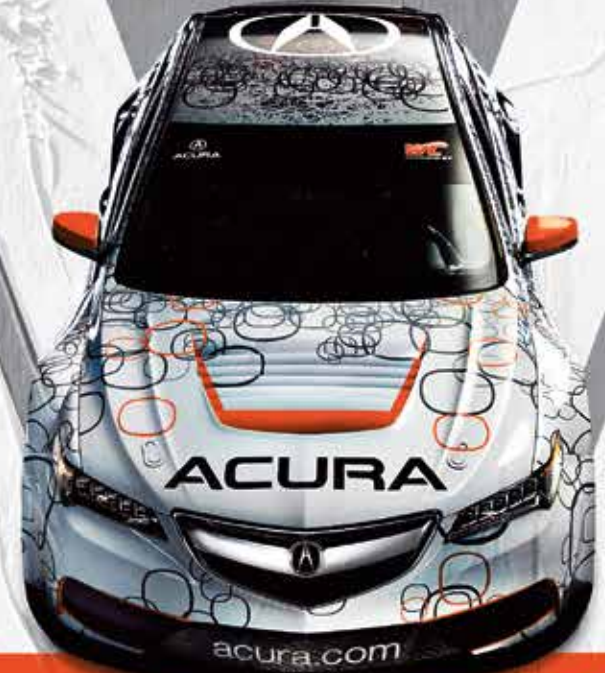
acura.com



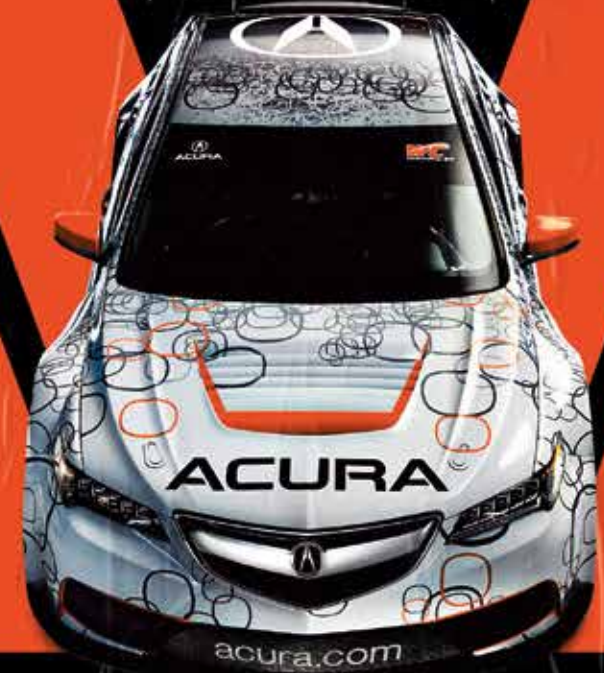
acura.com



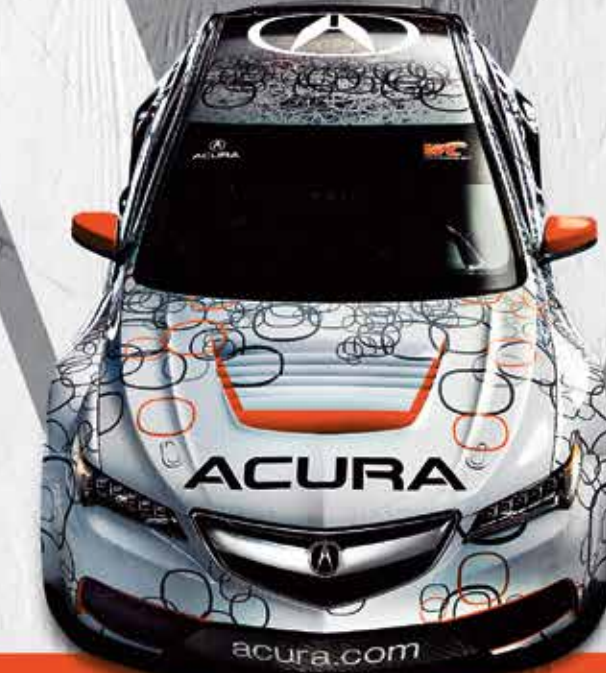
acura.com



acura.com



acura.com



acura.com



AND THE
QUICKENS

AND THE
QUICKENS

AND THE
QUICKENS

AND THE
QUICKENS

AND THE
QUICKENS

AND THE
QUICKENS

acura.com



acura.com



acura.com



acura.com



acura.com





TRACK SWEET TRACK



RACING HERITAGE

————— We're back on the track with the TLX GT race car, a phenomenal sedan that shares more than 400 production engine parts with the TLX, including the engine block and heads, crankshaft, direct-injection fuel system, and valvetrain components. Whether on the track or on the street, we apply the same passion to creating vehicles that deliver super handling—performance that is technically audacious, reassuringly precise, and utterly thrilling.



TRACK SWEET TRACK



RACING HERITAGE

————— We're back on the track with the TLX GT race car, a phenomenal sedan that shares more than 400 production engine parts with the TLX, including the engine block and heads, crankshaft, direct-injection fuel system, and valvetrain components. Whether on the track or on the street, we apply the same passion to creating vehicles that deliver super handling—performance that is technically audacious, reassuringly precise, and utterly thrilling.



WELCOME TO THE
ILLUMINATED LIFE

JEWEL EYE LED
HEADLIGHTS

— An industry first, Acura's Jewel Eye™ LED headlights use ten separate LED lamps to mimic natural sunlight, helping to reduce fatigue at night. The intense, focused beam of light can help you see what others don't, and makes colors appear more vivid.



PITCH PERFECT SILENCE

QUIET INTERIOR

————— Inside the TLX you'll find a haven of calm and quiet. Active Sound Control senses unwanted mechanical noise and emits opposing frequencies to help cancel out the slightest rumble. Acoustically damped and thoroughly insulated with precisely sealing expanding foam, triple-sealed doors, and hydraulic engine mounts, the TLX helps you maintain a positively sheltered existence.

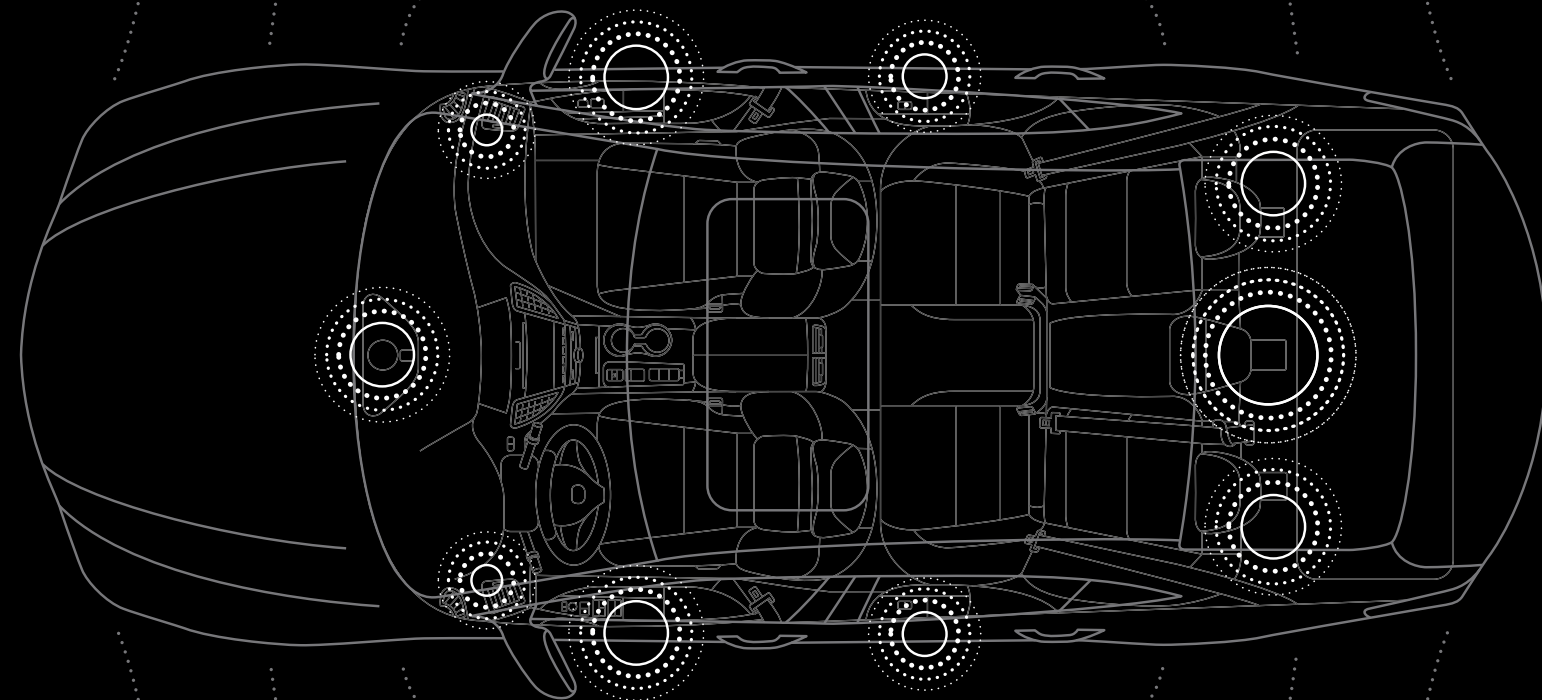


HEARD LOUD AND CLEAR

ELS PREMIUM AUDIO

Surround yourself with studio-quality sound. For lovers of audio performance, we offer the available 10-speaker ELS® Studio Premium Audio System developed by seven-time Grammy Award®-winning

recording engineer Elliot Scheiner. As the TLX took shape, Elliot worked closely with Acura engineers to tune the system to precisely match its interior space and preserve the integrity of the sound.



SIRI EYES FREE

Long-press the voice control button on the steering wheel to initiate Siri® Eyes Free. With a compatible iPhone®, you can make and receive calls, select and play music, audibly send and receive text messages, access Maps, and get directions—almost everything you can do with Siri on your connected iPhone.®

THE LITTLE VOICE IN MY CAR TELLS ME WHAT TO DO

TLX with Technology Package shown.

NAVIGATION SCREEN

Close to your line of vision is a wide, eight-inch, color screen that can combine audio, information, and available navigation functions. Its intuitive, high-resolution display puts virtually all the information you could need front and center, where functions are easily controlled by voice or from the interface dial.

ON DEMAND MULTI-USE DISPLAY™ (ODMD™)

An intuitive touch screen combines all the controls you need. The striking, seven-inch, color ODMD touch screen puts the audio system, climate, and your choice of programmed shortcuts at your fingertips, all with feedback you can feel. You can even use voice and steering-wheel-mounted controls without taking your hands off the wheel.

EASE OF EVERYTHING

ACURALINK NEXT-GENERATION CONNECTIVITY

Today it is not enough just to be connected. You need an intelligent way to keep it all straight. Beyond conventional navigation, the available Acuralink® system connects you to the data and media you want. It can reroute you based on current traffic conditions, stream your favorite web content through Aha™ and provide you with 24-hour concierge services that help with anything from reading reviews to ordering last-minute concert tickets.³ Its expansive technology keeps you more in touch with everything in the cloud and the world beneath it.

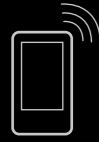
ACURALINK REAL-TIME TRAFFIC™

LIVE LINK CONCIERGE

LOCAL SEARCH

acuralink

ENHANCED ROADSIDE ASSISTANCE



CONNECT

You can be in sync with your car even when you're apart. Acura Connect acts as a remote and gives you vital vehicle stats. Flash your lights, lock and unlock your car, or check tire pressure, fuel level, and more remotely. It also gives you information and 24/7 live concierge services, and can even send destinations right to your car.³

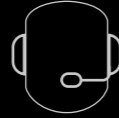
- LIVE LINK CONCIERGE
- VIRTUAL DASHBOARD
- VEHICLE STATUS
- REMOTE
- OWNER'S MANUAL
- MESSAGES
- DEALER LOCATOR



NAVIGATE

With Destination Link,TM you can speak to an operator, request information, and have directions sent instantly to your navigation system. Directions can also be sent to your car from your desktop or mobile device. AcuraLink Real-Time Traffic with Traffic Rerouting^{TM4} make the commute as effortless as possible.³

- NAVIGATION SYSTEM WITH 3D VIEW
- LOCAL SEARCH
- DESTINATION LINK
- ACURALINK REAL-TIME TRAFFIC
- TRAFFIC REROUTING



INTEGRATE

Stay in the loop while you drive. Aha integrates your favorite web content between your phone and car, like weather updates and Yelp reviews. AcuraLink also makes it easier to safely text and check emails while you're behind the wheel.*

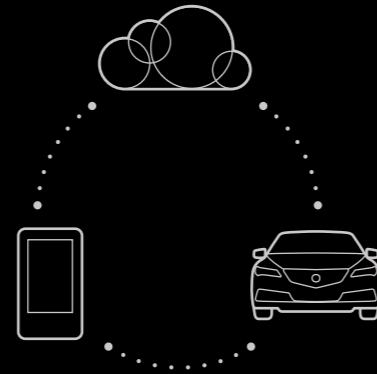
- TEXT MESSAGE AND EMAIL FUNCTION
- ACURALINK STREAMS APP FEATURING AHA COMPATIBILITY: WEATHER, MUSIC, AND MORE



PROTECT

All protect services, including Enhanced Roadside Assistance, are available 24/7. Drive with peace of mind knowing features such as AcuraLink Assist and Automatic Collision Notification can help in a serious situation, even pinpointing your exact location and dispatching emergency personnel if needed.³

- ACURALINK ASSIST
- AUTOMATIC COLLISION NOTIFICATION
- STOLEN VEHICLE LOCATOR
- ENHANCED ROADSIDE ASSISTANCE



ANYTIME, ANYPLACE

Car meets cloud. No matter the device, you're always connected. Interacting with your car goes beyond having the keys in your hand and allows you to explore more, stay more current with information, and even helps save time.*



Drive responsibly. Some state laws prohibit the operation of handheld electronic devices while operating a vehicle. For safety reasons, always launch your audio application or perform any other operations on your phone or audio device only when the vehicle is safely parked. *Based on compatibility. Cellular connection required. Your wireless carrier's rate plans apply. See your dealer for details.

ACURAWATCH

————— AcuraWatch™ forms a network of sensing technologies hard at work in the TLX. These advanced driver assistance features constantly

gather information and offer warnings, and some features can even take action when necessary. All to help prevent, avoid, or minimize threats.

1 Forward Collision Warning system (FCW)

When you're traveling above 10 mph, this available system can trigger an audible alert and a head-up warning light if it determines you are in danger of a collision with a vehicle detected ahead.*

2 Adaptive Cruise Control (ACC)

This available radar-based system gives you the ability to keep a set speed and a set interval from a car detected directly in front of you, and can even bring the TLX to a complete, full stop in traffic!†

3 Collision Mitigation Braking System™ (CMBS™)

To help reduce the likelihood or severity of a frontal impact, the available CMBS can lightly brake and tug at your seat belt if you don't slow down when it senses you're at risk of a collision. If it still senses an imminent collision, CMBS will tighten the belts further and brake firmly.‡

4 Lane Departure Warning system (LDW)

A small camera mounted at the top of the windshield can track lane markings on the road and then determine when the driver is making an unintended departure from a detected lane. This available system provides visual alerts on the driver's instrument panel along with an audible warning.§

5 Lane Keeping Assist System (LKAS)

The available LKAS gently corrects your steering when you begin to leave a detected lane without signaling, applying torque progressively to the steering to guide you back to the center of the lane.¶

6 Road Departure Mitigation

With new camera technology, available Road Departure Mitigation can sense more than just lane markings, with the ability to detect parked cars, pedestrians, mailboxes, and other objects. It can help steer and even apply the brakes when necessary to keep the car from leaving the road.¶

7 Blind spot information system (BSI)

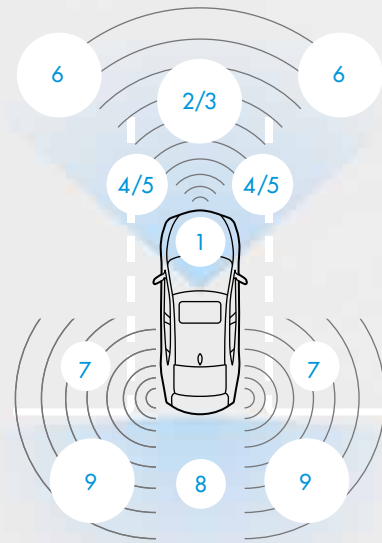
Using ultrasonic sensors in the rear bumper, the available BSI system illuminates an indicator light to let you know a vehicle has been detected in your blind spot, and alerts you with an audible signal if you try to change lanes.**

8 Multi-View Rear Camera with Dynamic Guidelines

As the TLX is put in reverse, the Multi-View Rear Camera provides a choice of three views, including top down and wide angles, to help you see where you're going.††

9 Rear Cross Traffic Monitor

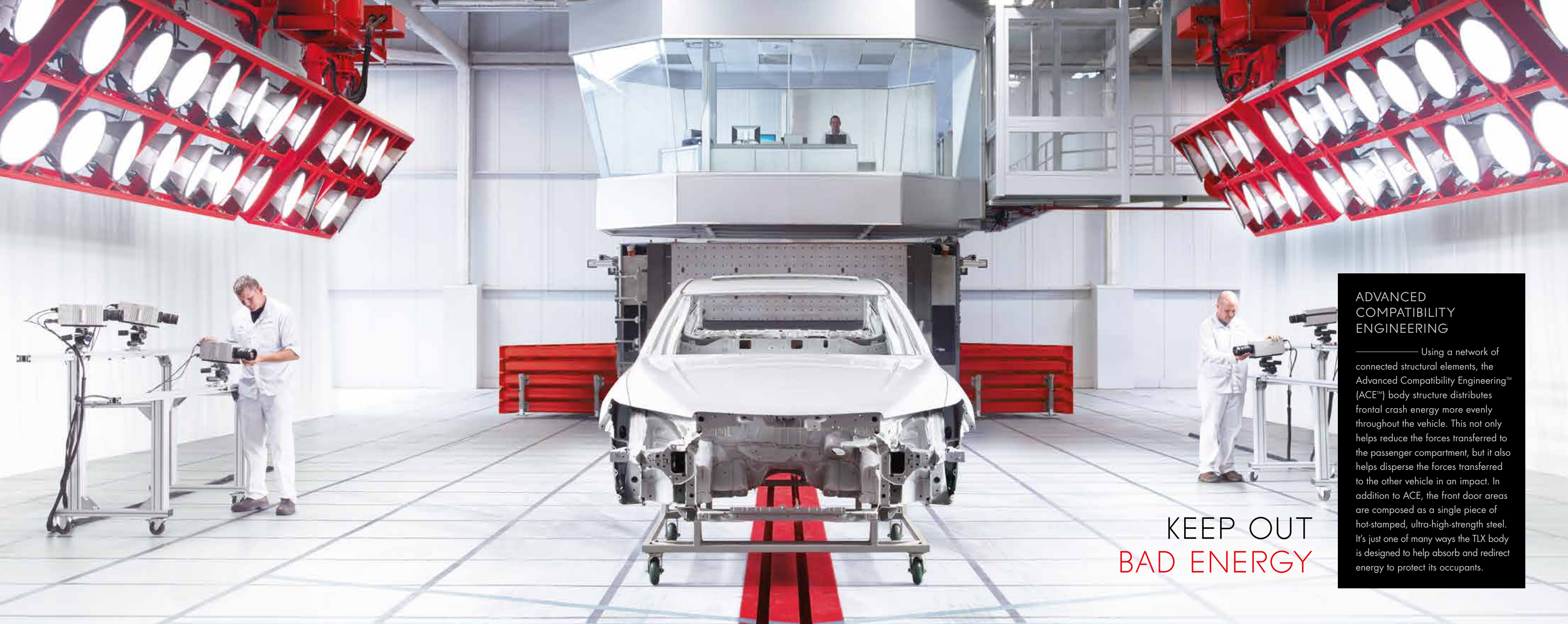
Using the blind spot information sensors to detect cars as the TLX is put in reverse, the available Rear Cross Traffic Monitor sounds a warning and displays a visual warning on the rearview camera display if a vehicle is detected.††



*Forward Collision Warning (FCW) is not available on models with Collision Mitigation Braking System. FCW cannot detect all objects ahead and may not detect a given object; accuracy will vary based on weather, speed, and other factors. System operation affected by extreme interior heat. FCW does not include braking function. Driver remains responsible for safely operating vehicle and avoiding collisions. †Adaptive Cruise Control (ACC) with low-speed follow cannot detect all objects ahead and may not detect a given object; accuracy will vary based on weather, speed, and other factors. ACC should not be used in heavy traffic, poor weather, or on winding roads. ‡Depending on the circumstances, CMBS may not go through all the alert stages before initiating the last stage (of collision mitigation). §LDW (Lane Departure Warning), LKAS (Lane Keeping Assist System), and Road Departure Mitigation only alert drivers or operate when lane drift is detected without a turn signal in use. LDW, LKAS, and Road Departure Mitigation may not detect all lane markings or lane departures; accuracy will vary based on weather, speed, and road condition. System operation affected by extreme interior heat. Driver remains responsible for safely operating vehicle and avoiding collisions. ¶The system is not a substitute for your own visual assessment before changing lanes; system accuracy will vary based on weather, size of object, and speed. ††Always visually confirm that it is safe to drive before backing up; the rearview camera display does not provide complete information about all conditions and objects at the rear of your vehicle. †††The system is not a substitute for your own visual assessment before backing up; system accuracy will vary based on weather, size of object, and speed.

IT HAS YOUR BACK, YOUR FRONT, AND YOUR SIDES





ADVANCED COMPATIBILITY ENGINEERING

Using a network of connected structural elements, the Advanced Compatibility Engineering™ (ACE™) body structure distributes frontal crash energy more evenly throughout the vehicle. This not only helps reduce the forces transferred to the passenger compartment, but it also helps disperse the forces transferred to the other vehicle in an impact. In addition to ACE, the front door areas are composed as a single piece of hot-stamped, ultra-high-strength steel. It's just one of many ways the TLX body is designed to help absorb and redirect energy to protect its occupants.

KEEP OUT
BAD ENERGY



TLX V-6 shown with accessory LED fog lights.

This is Not a Kind
of Thrill

ENGINE	TLX	TLX V-6	TLX V-6 SH-AWD
Engine Type	Direct-Injection 4-Cylinder	Direct-Injection V-6	Direct-Injection V-6
Displacement (liters)	2.4	3.5	3.5
Horsepower @ rpm (SAE net)	206 @ 6,800	290 @ 6,200	290 @ 6,200
Torque (lb-ft @ rpm) (SAE net)	182 @ 4,500	267 @ 4,500	267 @ 4,500
Valvetrain	16-Valve, DOHC i-VTEC®	24-Valve, SOHC i-VTEC®	24-Valve, SOHC i-VTEC®
Variable Cylinder Management™ (VCM®)	—	•	•
Compression Ratio	11.6:1	11.5:1	11.5:1
Throttle Control	Drive-by-Wire Throttle System		
Idle Stop	—	—	•
CARB Emissions Rating	ULEV-2	ULEV-2	ULEV-2
Tune-Up Interval	100K +/- Miles	No Scheduled Tune-Ups	

DRIVETRAIN - TRANSMISSION

Front-Wheel Drive	•	•	—
Super Handling All-Wheel Drive™ (SH-AWD®)	—	—	•
8-Speed DCT (Dual-Clutch Transmission) with Torque Converter	•	—	—
9-Speed Automatic Transmission	—	•	•
Sequential SportShift Paddle Shifters	•	•	•
Gear Ratios			
1st	3.08	4.71	4.71
2nd	2.18	2.84	2.84
3rd	1.61	1.91	1.91
4th	1.22	1.38	1.38
5th	0.96	1.00	1.00
6th	0.74	0.81	0.81
7th	0.62	0.70	0.70
8th	0.48	0.58	0.58
9th	—	0.48	0.48
Reverse	2.22	3.83	3.83
Final Drive	4.57	3.52	3.52

SUSPENSION - CHASSIS	TLX	TLX V-6	TLX V-6 SH-AWD
MacPherson Strut Front Suspension	•	•	•
Multi-Link Rear Suspension	•	•	•
Stabilizer Bar (mm, front/rear)	26.0 / 24.7	26.0 / 25.4	26.0 / 24.7
Amplitude Reactive Dampers	•	•	•
Precision All-Wheel Steer™ (P-AWS™) system	•	•	—
Electric Power-Assisted Rack-and-Pinion Steering (EPS)	•	•	•
Integrated Dynamics System (IDS)	•	•	•
Agile Handling Assist®	•	•	•
Ventilated Front Disc/Solid Rear Disc Brakes (in)	12.6 / 12.2	12.6 / 12.2	12.6 / 12.2
Machine-Finished, Aluminum-Alloy Wheels	17 x 7.5	18 x 7.5	18 x 7.5
High-Performance, All-Season Tires	225/55 R17	225/50 R18	225/50 R18
Steering Ratio	15.0:1	14.6:1	16.0:1
Turning Diameter, Curb to Curb (ft)	39.2	38.8	39.5

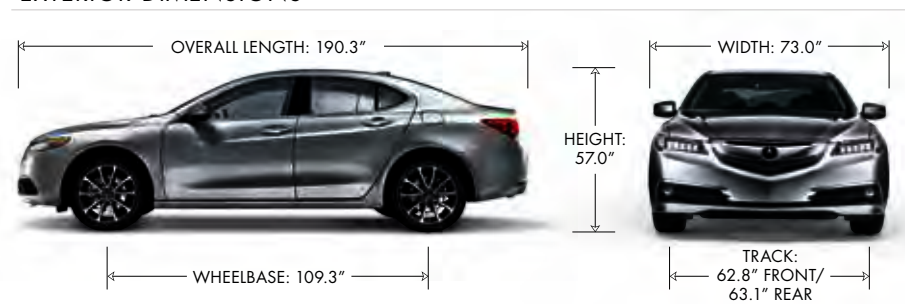
FUEL ECONOMY - CAPACITIES - WEIGHTS

EPA Fuel Economy Ratings¹ (City/Highway/Combined)	24/35/28	21/34/25	21/31/25
Recommended Fuel²	Premium Unleaded 91-Octane		
Fuel Tank Capacity (U.S. Gallons)	17.2	17.2	17.2
Curb Weight (lbs)	3,483	3,585	—
Curb Weight with Technology Package (lbs)	3,492	3,596	3,748
Curb Weight with Advance Package (lbs)	—	3,620	3,774
Weight Distribution (% front/rear)	60 / 40	61 / 39	60 / 40

INTERIOR DIMENSIONS

Headroom (in, front/rear)	37.2 / 36.7	37.2 / 36.7	37.2 / 36.7
Legroom (in, front/rear)	42.6 / 34.5	42.6 / 34.5	42.6 / 34.5
Shoulder Room (in, front/rear)	57.5 / 55.4	57.5 / 55.4	57.5 / 55.4
Hiproom (in, front/rear)	55.3 / 54.9	55.3 / 54.9	55.3 / 54.9
EPA Passenger Volume (cu ft)	93.3	93.3	93.3
EPA Cargo Volume (cu ft, without/with Advance Package)	13.2	13.2 / 14.3	13.2 / 14.3

EXTERIOR DIMENSIONS



SAFETY & DRIVER ASSISTIVE TECHNOLOGY

	TLX	TLX V-6	TLX V-6 SH-AWD
Forward Collision Warning (FCW) System	T	T, A	•
Collision Mitigation Braking System™ (CMBS™) with Head-Up Warning	—	A	A
Lane Departure Warning (LDW) System	T	T, A	•
Lane Keeping Assist System (LKAS)	T	T, A	•
Road Departure Mitigation System	—	A	A
Blind spot information (BSI) System	T	T, A	•
Multi-View Rear Camera with Dynamic Guidelines	•	•	•
Rear Cross Traffic Monitor	T	T, A	•
Next-Generation Advanced Compatibility Engineering™ (ACE™) Body Structure	•	•	•
Dual-Stage, Multiple-Threshold Front Airbags (SRS)	•	•	•
Front Side Airbags	•	•	•
Side Curtain Airbags	•	•	•
Driver's Knee Airbag	•	•	•
Front Seat Belt e-Pretensioner System	—	A	A
Vehicle Stability Assist™ (VSA®) with Traction Control and Motion Adaptive Steering	•	•	•
4-Wheel Anti-Lock Braking System (ABS)	•	•	•
Electronic Brake Distribution (EBD)	•	•	•
Brake Assist	•	•	•
LED Daytime Running Lights (DRL)	•	•	•
Tire Pressure Monitoring System (TPMS) with Location, Pressure Indicators, and Tire Fill Assist	•	•	•
Expanded View Driver's Mirror	•	•	•
Theft-Deterrent System with Electronic Immobilizer	•	•	•
Tire Sealant and Repair Kit	•	•	•

WHEELS



AUDIO & CONNECTIVITY

	TLX	TLX V-6	TLX V-6 SH-AWD
Acura Navigation System with 3D View	T	T, A	•
Next-Generation AcuraLink®	T	T, A	•
AcuraLink Real-Time Traffic™ with Exclusive Street and Freeway Conditions⁴	T	T, A	•
Traffic Rerouting™⁴	T	T, A	•
Siri® Eyes Free²	•	•	•
SMS, MMS Text Message and Email Capability³	•	•	•
On Demand Multi-Use Display™ (ODMD™)	•	•	•
Multi-Information Display (MID)	•	•	—
Color Multi-Information Display (MID)	T	T, A	•
Remote Engine Start with Vehicle Feedback	—	A	A
Bluetooth® HandsFreeLink® Wireless Telephone Interface⁶	•	•	•
Acura/ELS Studio® Premium Audio System with 10 Speakers	T	T, A	•
Acura Premium Audio System with 7 Speakers	•	•	—
Song By Voice®	T	T, A	•
Aha™ Compatibility	•	•	•
HD Radio®	T	T, A	•
SiriusXM® Radio⁷	•	•	•
Pandora® Compatibility⁸	•	•	•
USB Audio Interface with iPod® Integration⁹	•	•	•
Bluetooth® Streaming Audio⁶	•	•	•
MP3/Auxiliary Input Jack	•	•	•
Speed-Sensitive Volume Compensation (SVC)	•	•	•
HomeLink®	•	•	•
Compass	•	•	•
Maintenance Minder™ System	•	•	•

DRIVER CONVENIENCE

Hill Start Assist	•	•	•
Electric Parking Brake with Automatic Brake Hold	•	•	•
Cruise Control	•	•	•
Adaptive Cruise Control (ACC) with Low-Speed Follow	—	A	A
Parking Sensors (front and rear)	—	A	A
Auto-On/Off Headlight Operation with Wiper Integration	•	•	•
Rain-Sensing Windshield Wipers	T	T, A	•
Heated Side Mirrors with Reverse Gear Tilt-Down	•	•	•
Auto-Dimming Side Mirrors	—	A	A

INTERIOR	TLX	TLX V-6	TLX V-6 SH-AWD
Dual-Zone, Automatic Climate Control with Humidity Control and Air Filtration	•	•	•
GPS-Linked Climate Control	T	T, A	•
Keyless Access System with Acura Personalized Settings	•	•	•
Pushbutton Ignition	•	•	•
Electronic Gear Selector	—	•	•
Power Windows with Auto-Up/Down and Auto-Reverse	•	•	•
Sport Seats with Leatherette-Trimmed Interior	•	•	—
Sport Seats with Perforated, Milano Premium Leather-Trimmed Interior	T	T, A	•
Driver's 10-Way Power Seat	•	•	•
Front Passenger's 8-Way Power Seat	—	•	•
Front Passenger's 4-Way Power Seat	•	—	—
Heated Front Seats	•	•	•
Heated and Ventilated Front Seats	—	A	A
60/40-Split Fold-Down Rear Seatback	•	•	•
Tilt and Telescopic Steering Column	•	•	•
Leather-Wrapped Steering Wheel	•	•	•
Leather-Wrapped Shift Knob	•	—	—
Steering-Wheel-Mounted Controls	•	•	•

INTERIOR	TLX	TLX V-6	TLX V-6 SH-AWD
High-Gloss Zebra Wood Finish and Metal Trim on Console and Doors	•	•	•
Connectivity Pocket with Sliding Tray	•	•	•
Active Sound Control	•	•	•
Ambient Cabin Lighting	•	•	•
Automatic-Dimming Rearview Mirror	•	•	•
Retained Accessory Power for Windows and Moonroof	•	•	•
12-Volt Power Outlets (Center Console and Front Armrest)	•	•	•

EXTERIOR	TLX	TLX V-6	TLX V-6 SH-AWD
Power Moonroof	•	•	•
Jewel Eye™ LED Headlights	•	•	•
LED Fog Lights	—	A	A
LED-Illuminated Taillights, Side-Mirror-Integrated Directional Signals, Rear License, and Center High-Mount Stop Light	•	•	•
LED Puddle Lights	—	A	A
Acoustic Glass Windshield	•	•	•
Remote-Operated Windows and Moonroof-Open Function	•	•	•
Capless Fuel Fill	•	•	•



When you purchase a vehicle with the exceptional quality of an Acura, you expect service and support to be of the same caliber. After all, a premium automobile is only part of the ownership experience. With Acura, you also get a commitment. To personalized care. To attentive service. This commitment is apparent the moment you first enter an Acura dealership and for years down the road. It comes from a belief that every aspect of owning an Acura should be an enjoyable and rewarding experience.

Acura Limited Warranties⁰

All Acura vehicles and any Acura genuine accessories installed by the dealer at the time of vehicle purchase have a four-year/50,000-mile limited warranty. Acura vehicles are also covered by a six-year/70,000-mile limited powertrain warranty. In addition, outer body rust-through is covered by a five-year/unlimited-mile limited warranty.

Acura Financial Services¹¹

From leasing and financing to protecting your vehicle after your warranty expires to helping you determine which Acura fits your budget, Acura Financial Services (AFS) provides you with the convenience, options, and service to complement your life. For more information, go to www.acurafinancialservices.com.

Acura Care

Additional peace of mind can be had with the Acura Care program—comprehensive vehicle and travel protection beyond the initial warranty period. See your Acura dealer for all the features and benefits available with this program.

Total Luxury Care (TLC)¹²

Acura's commitment to your satisfaction doesn't end with the delivery of a world-class vehicle. As an Acura owner, you'll enjoy an array of services, like the Acura Concierge,™ for 24-hour weather information, insurance claims assistance, or to help you plan a trip; trip-interruption benefits, like alternative transportation, lodging, and meals; and a 24-hour Roadside Assistance program.

Acuralink Owners Mobile App

Use your smartphone to connect with an Acura agent at the push of a button. Access a full range of Acura Roadside Assistance services using your Android® device or iPhone®, including comprehensive towing, lockout assistance, battery jump-start, tire change, and fuel delivery with your phone's GPS technology providing your exact location. You can use the app to view scheduled time of arrival and contact information for the dispatched service provider. The app also offers a priority emergency button for urgent situations. Visit the Apple iTunes Store or shop Google Play to download this free app.



Accessories

When it comes to personalizing, choose Acura genuine accessories that are crafted to the same strict levels of quality as the rest of your Acura. See your Acura dealer for a complete list of accessories or go to acura.com.

1-800-to-Acura

Operators are available 24 hours a day to help answer your Acura questions.

Acura.com

Learn more about Acura vehicles, including the latest specifications, see photo galleries and technology videos, and find out how our vehicles compare to the competition. You can also build and price your Acura, see current offers, and even get a quote from an Internet-certified Acura dealer.

Owners.Acura.com

The online help doesn't end when you take possession of your vehicle. Your complimentary Acura Owners personalized website gives the most current information about your vehicle, provides tips on how to care for your Acura, lets you keep a personalized maintenance record, sends you service reminders, and lets you schedule service appointments online.

©2016 Acura. Acura, TLX, the stylized "A" logo, Acura Care, Acura Concierge, Acura Financial Services, Acuralink, Acuralink Real-Time Traffic, AcuraWatch, Advanced Compatibility Engineering (ACE), Agile Handling Assist, Automated Appointments, Collision Mitigation Braking System (CMBS), HandsFreeLink, Jewel Eye, On Demand Multi-Use Display (ODMD), Precision All-Wheel Steer (PAWS), Song By Voice, Super Handling All-Wheel Drive (SH-AWD), Total Luxury Care (TLC), Traffic Rerouting, Variable Cylinder Management (VCM), and iVTEC are trademarks of Honda Motor Co., Ltd. Covered by patent rights issued and/or pending. Specifications, features, illustrations, and equipment shown in this catalog are based on the latest available information at the time of publication. Although descriptions are believed to be correct, accuracy cannot be guaranteed. All images contained herein are either owned by American Honda Motor Co., Inc., or used under a valid license. It is a violation of federal law to reproduce these images without express written permission from American Honda Motor Co., Inc., or the individual copyright owner of such images. American Honda Motor Co., Inc., reserves the right to make changes at any time, without notice or obligation, in colors, specifications, accessories, materials, and models. Aha, the Aha logo, and the Aha trade dress are trademarks or registered trademarks of Harman International Industries. Android is a registered trademark of Google, Inc., registered in the U.S. and other countries. The Bluetooth® word mark and logos are owned by the Bluetooth SIG, Inc., and any use of such marks by Honda Motor Co., Ltd., is under license. ELS Studio is a registered trademark of Panasonic Corporation of North America. All rights reserved. GRAMMY is a registered trademark of The Recording Academy and is used under license. Siri®, iPhone®, and iPod® are registered trademarks of Apple, Inc. Pandora, the Pandora logo, and the Pandora trade dress are trademarks or registered trademarks of Pandora Media, Inc. Used with permission. ©2016 Sirius XM Radio, Inc. Sirius, SiriusXM, the XM name, XM NavTraffic, and NavWeather are trademarks of XM Satellite Radio Inc. Make an intelligent decision. Fasten your seat belt. **1** Based on 2016 EPA mileage ratings. Use for comparison purposes only. Your actual mileage will vary depending on how you drive and maintain your vehicle. **2** Siri® Eyes Free is available on iPhone® 4s or later, iPad® with Retina® display, iPad mini™, and iPod touch® (5th generation) with iOS 6 or later and requires Internet access. Siri® may not be available in all languages or in all areas, and features may vary by area. Cellular data charges may apply. Some features may not be available for all countries or all areas. **3** Certain Acuralink services are available only where compatible cellular and GPS coverage is available. Subscription agreement required to enroll and terms and conditions of subscription agreement apply to services. Standard text rates and/or data usage may apply to communications received by email or SMS/text message. Visit your dealer or acura.com/acuralink for more information on standard and available features. **4** Three-year subscriptions for Acuralink Real-Time Traffic and Traffic Rerouting are included with new car purchase. See your Acura dealer for system and coverage details. **5** Use of lower-octane gasoline can cause occasional metallic knocking noise in the engine and will result in decreased engine performance. Use of gasoline with a pump octane less than 87 can lead to engine damage. Using gasoline with an octane lower than 91 may cause damage to the engine. Please consult the owner's manual for details. **6** Visit www.handsfreelink.com for a list of compatible phones and available features. Compatible with select phones with Bluetooth®. Your wireless carrier's rate plans apply. State or local laws may limit the use of the texting feature. Only use the texting feature when conditions allow you to do so safely. **7** SiriusXM services require a subscription after any trial period. If you decide to continue your SiriusXM service at the end of your trial subscription, the plan you choose will automatically renew and bill at then-current rates until you call SiriusXM at 1-866-635-2349 to cancel. See our Customer Agreement for complete terms at www.siriusxm.com. Fees and programming subject to change. XM satellite service is available only to those at least 18 years and older in the 48 contiguous United States and D.C. **8** Compatible with select smartphones. See: www.pandora.com/everwhere/mobile. Not all devices compatible with USB connection. Your wireless carrier's rate plans apply. **9** The USB Audio Interface is used for direct connection to and control of some current digital audio players and other USB devices that contain MP3, WMA, or AAC music files. Some USB devices with security software and digital rights-protected files may not work. Please see your Acura dealer for details on compatibility. Windows Media® is a trademark or registered trademark of Microsoft Corporation in the United States and/or other countries. **10** Ordinary maintenance items or adjustments, parts subject to normal wear and replacement, and certain other items are excluded. See your Acura dealer for the terms and conditions of limited warranties. **11** Acura Financial Services is a DBA of American Honda Finance Corporation. **12** See your local dealer for details about Total Luxury Care (TLC) Roadside Assistance and Acura Concierge service.



acura.com